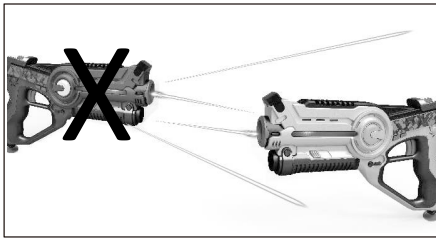


## Quick Start Guide: You will need a Phillips screwdriver & 16 AA batteries (not included)

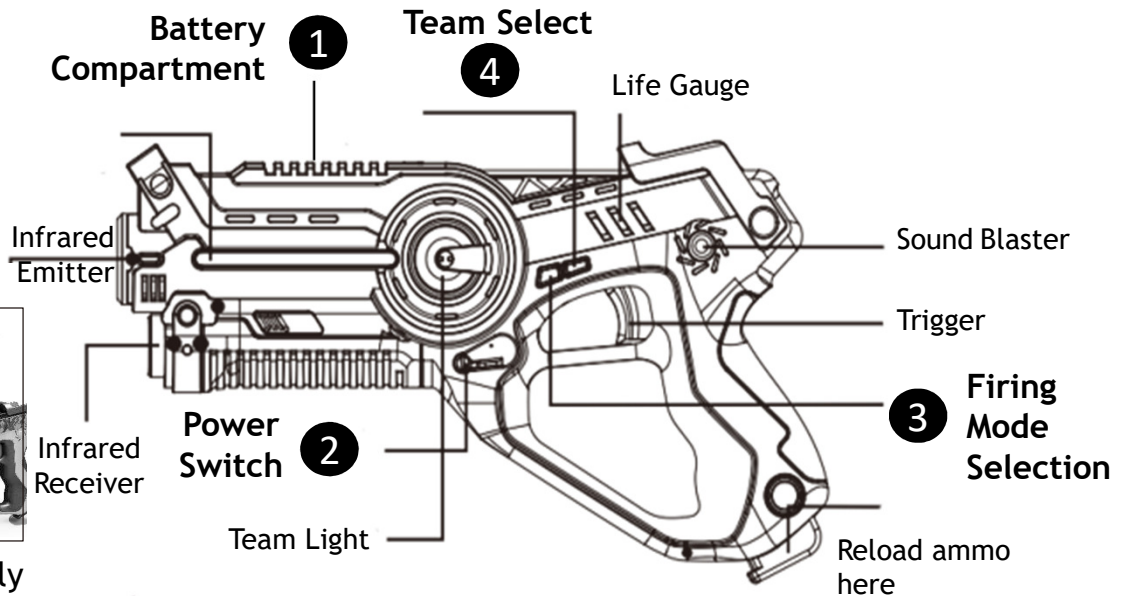
1. Insert batteries - see below
2. Turn ON Power - the Team Light & Life Gauge will flash & a signal will sound that your game is about to begin. (Team light will default as BLUE)
3. Firing Mode Selection - Select one of four modes by pressing Firing Mode Selection button: Pistol (12 shots) Shotgun (6 shots) Semi-automatic gun (6 shots) & Missile Launcher (1 shot)
4. Team Selection - Use the Team Select button to choose Blue Team, Red Team, Green Team or White Team. There is no limit to the number of members on a team. The gun will not shoot team members if there is more than one member on a team provided they have chosen the same team color.

**Don't want to read this stuff?**

Visit [www.theadventureguys.com/pages/product-manuals](http://www.theadventureguys.com/pages/product-manuals)  
For a Cool Demo



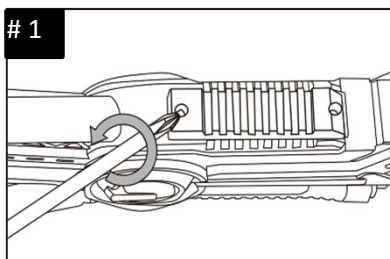
Gun on the right is correctly aiming at the Infrared Receiver



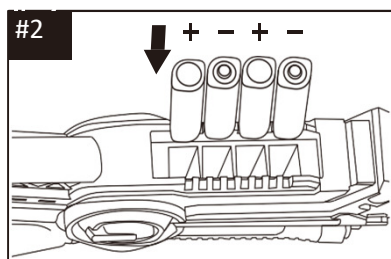
## TIPS & TRICKS Visit: [www.theadventureguys.com/pages/product-manuals](http://www.theadventureguys.com/pages/product-manuals)

1. Shoot directly at the opponent's gun targeting the Infrared Receiver. When the gun is hit & damaged, the Life Gauge will blink & the gun will vibrate. Each gun has 3 lives - see Life Gauge. When 3 lives are gone, the gun will stop shooting.
2. Gun Ammo & Strength - The pistol has 12 shots & will eliminate 1-life light. The shotgun has 6 shots & will eliminate 2-life lights. The semi automatic gun has 6 shots & will eliminate 2-life lights. The missile launcher has 1 shot & will eliminate 3-life lights.
3. To reload a gun - bump the butt of the gun at the bottom of the handle.
4. Spread Out - Each gun shoots 130+ feet so take cover & protect yourself.

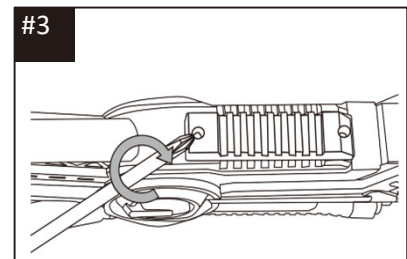
## BATTERY INSTALLATION: Need a Phillips screwdriver & 16 AA batteries (not included)



#1 Remove battery cover with screwdriver - turn counterclockwise.



#2 Insert 4 batteries matching diagram



#3 Replace battery cover & tighten screw - turn clockwise

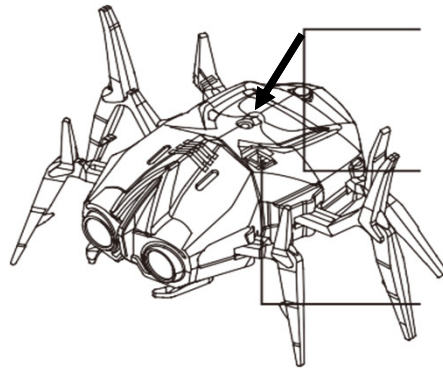


# BONUS: TAG BEETLE BUG

We guarantee you are going to LOVE IT!

**PLEASE, YOU WANT TO READ THIS!!**  
Don't sweat this thing!  
No one likes to read instructions!  
Go watch our How-to-Video.  
We got ya covered at:  
[www.theadventureguys.com/pages/product-manuals](http://www.theadventureguys.com/pages/product-manuals)

## Quick Start Guide: 1. Get to know your Beetle Bug



ON/OFF Button

Press & Hold for 2 seconds for DEMO mode.

USB Charging Port



USB Cable

**2. Charging the Beetle Bug** - connect the USB cable to the Beetle's charging port. Plug the USB cable into a computer's USB port or a USB plugin for charging. Charging will take 20-30 minutes.

### 3. LET THE FUN BEGIN:

- Place the Beetle Bug on a hard surface such as floor or concrete. Do not use in mud, dirt or carpet.
- Learn how the Beetle Bug moves by entering the DEMO mode. PRESS & HOLD the ON/OFF switch for 2 seconds. In DEMO mode the Beetle will Tumble, Go Forward, Stop & Tumble again!
- To operate the Beetle Bug press the ON/OFF switch to ON. To turn OFF the Beetle press the switch again.
- Start firing the Laser at the crawling Beetle Bug. When hit the Bug will tumble over and start crawling again.
- The Laser will shoot the Beetle Bug as far as 30+ feet away.

Backed by TAG's Lifetime Guarantee



You'll LOVE it or We'll Eat It

Were we right?  
Do you **LOVE** your New Laser Tag?  
We LOVE ★★★★★ Reviews  
Please visit Amazon & let everyone know how **FUN** these are by leaving us a 5 STAR Review!

Not 5 Star-worthy? Please let us know & we'll make it right. Contact us at [help@theadventureguys.com](mailto:help@theadventureguys.com)

**Questions or Concerns:**

Shoot us an email at [help@theadventureguys.com](mailto:help@theadventureguys.com)

# THANK YOU